

SCALIS

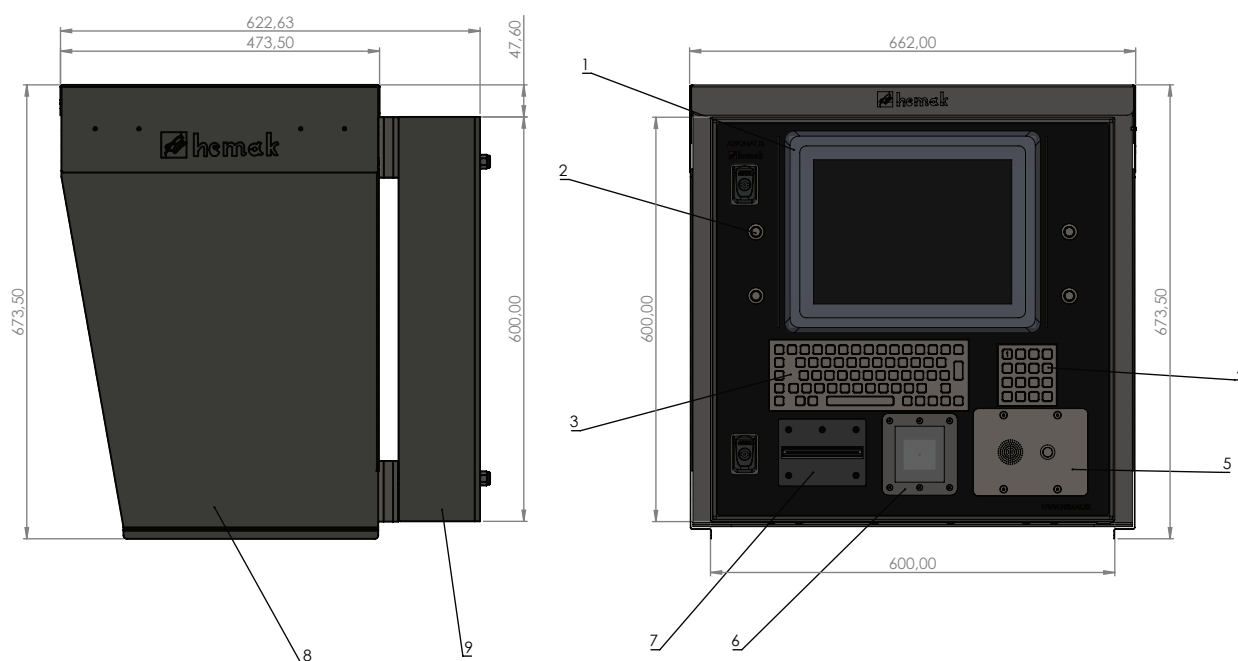


AUTOMAT XL

The self-weighing system with a touch display, Intercom, keyboard, and QR code printer.

The terminal is equipped with an RFID card reader or a QR code reader. A terminal can be used for automatic weighing with a choice of materials or as an entry terminal for registration. After registration, the terminal will print a receipt with a QR code. The system saves registered information with an exact QR code to the software. Driver with card come to scale and using terminal S, M, or L and scan QR code. The scale will record information from QR codes and save weighting. On the second weighing the process is repeated and after that weighing is finished with the result in net weight.

AUTOMAT XL



- | | | |
|--------------------------------------------------|----------------------------------------|--------------------------------------|
| 1/ Touch display | 4/ Numerical keyboard, stainless steel | 7/ Printer |
| 2/ Buttons for confirming the selection, backlit | 5/ Intercom | 8/ Protective cover, stainless steel |
| 3/ Keyboard, stainless steel | 6/ RFID and QR code reader | 9/ Pole holder |

