

SCALIS

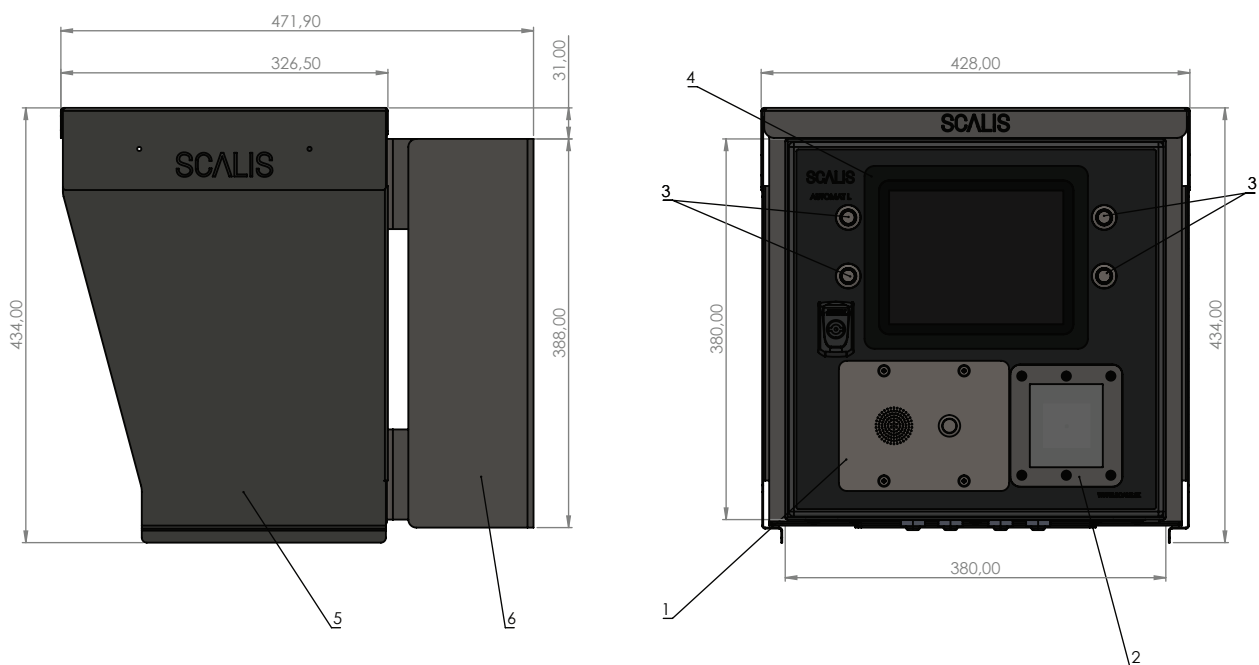


AUTOMAT L

The self-weighing system with a touch display, Intercom, keyboard, and QR code reader.

The terminal is equipped with an RFID card reader alternatively a QR code reader and a touch display. The terminal is used for automatic weighing with a choice of materials. The driver will attach an RFID card or scan a QR code, on the display choose the material, system save the weighing. In case of communication with the operator, the Intercom is available. On the second weighing the process is repeated and after that weighing is finished with the result in net weight.

AUTOMAT L



1/ Intercom

2/ RFID and QR code reader

3/ Buttons for confirming the selection, backlit

4/ Touch display

5/ Protective cover, stainless steel

6/ Pole holder

